

Overview

Steel; Slimline flat tube on tube radiator cloaked in a steel cover
Optional B2 (underneath) connections available in vertical only
5 year warranty

Finish

White RAL 9010 as standard, 17 RAL Colours and 7 Special Finishes
1013 1015 1021 3000 3002 3003 3004 5014 5021 6016 7016 7035 9001
9005 9006 9007 9010
Please call **1300 00 1800** for a RAL or Special Finishes chart

Delivery

Supplied to order approximate delivery time (8-16 weeks).



Single horizontal

Model	Height (mm)	Width (mm)	Watts Δt 50°C	White Ex GST	Colours Ex GST
ICESH4512	465	1220	555	\$1,615.00	\$2,020.00
ICESH6012	615	1220	741	\$2,006.00	\$2,514.00
ICESH4515	465	1520	730	\$1,682.00	\$2,100.00
ICESH6015	615	1520	971	\$2,073.00	\$2,594.00
ICESH4518	465	1820	881	\$1,811.00	\$2,265.00
ICESH5318	540	1820	1027	\$1,976.00	\$2,469.00
ICESH6018	615	1820	1174	\$2,171.00	\$2,718.00
ICESH4520	465	2020	979	\$1,980.00	\$2,469.00
ICESH6020	615	2020	1305	\$2,269.00	\$2,839.00

Ice horizontal	Pipe centres left to right	Pipe centres from wall	Depth from wall
Single horizontal	width - 60mm	32mm - 42mm	65mm - 75mm
Double horizontal	width - 60mm	77mm - 87mm	110mm - 120mm

Double horizontal

Model	Height (mm)	Width (mm)	Watts Δt 50°C	White Ex GST	Colours Ex GST
ICEDH4512	465	1220	835	\$2,242.00	\$2,803.00
ICEDH6012	615	1220	1113	\$2,666.00	\$3,332.00
ICEDH4515	465	1520	1085	\$2,269.00	\$2,839.00
ICEDH6015	615	1520	1446	\$2,794.00	\$3,497.00
ICEDH4518	465	1820	1346	\$2,434.00	\$3,044.00
ICEDH5318	540	1820	1570	\$2,603.00	\$3,237.00
ICEDH6018	615	1820	1794	\$2,927.00	\$3,666.00
ICEDH4520	465	2020	1526	\$2,630.00	\$3,293.00
ICEDH6020	615	2020	2034	\$3,061.00	\$3,831.00

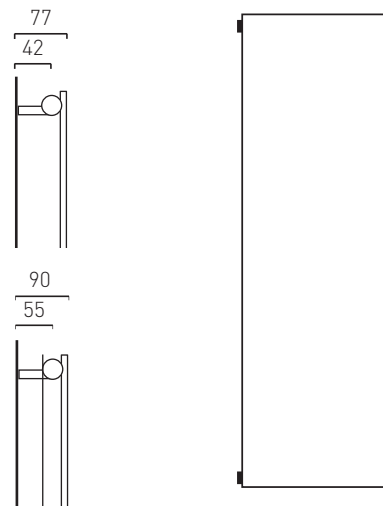


Single vertical

Model	Height (mm)	Width (mm)	Watts Δt 50°C	White Ex GST	Colours Ex GST
ICESV1545	1520	465	663	\$1,580.00	\$1,976.00
ICESV1560	1520	615	883	\$1,945.00	\$2,430.00
ICESV1845	1820	465	793	\$1,713.00	\$2,140.00
ICESV1853	1820	540	924	\$1,847.00	\$2,305.00
ICESV1860	1820	615	1057	\$2,042.00	\$2,559.00
ICESV2045	2020	465	881	\$1,847.00	\$2,305.00
ICESV2060	2020	615	1175	\$2,140.00	\$2,674.00

Double vertical

Model	Height (mm)	Width (mm)	Watts Δt 50°C	White Ex GST	Colours Ex GST
ICEDV1545	1520	465	987	\$2,109.00	\$2,634.00
ICEDV1560	1520	615	1315	\$2,603.00	\$3,257.00
ICEDV1845	1820	465	1180	\$2,269.00	\$2,839.00
ICEDV1853	1820	540	1377	\$2,434.00	\$3,044.00
ICEDV1860	1820	615	1573	\$2,732.00	\$3,412.00
ICEDV2045	2020	465	1315	\$2,465.00	\$3,079.00
ICEDV2060	2020	615	1753	\$2,865.00	\$3,581.00



Ice vertical	Pipe centres left to right	Pipe centres from wall	Depth from wall
Single vertical	width - 10mm + valves	42mm	77mm
Double vertical	width - 10mm + valves	55mm	90mm

Underneath Connections	Ex GST
B2CONN	\$233
Underneath Connections pipe centres = width - 85mm	

For technical details on the Ice Bagno towel rail see page 137

Ice Inox shown on pages 12-13

Overview

Steel; Slimline flat tube on tube radiator cloaked in a steel cover
 Optional B2 (underneath) connections available
 5 year warranty

Finish

Polished or Brushed Stainless Steel

Delivery

Supplied to order approximate delivery time (8-16 weeks).

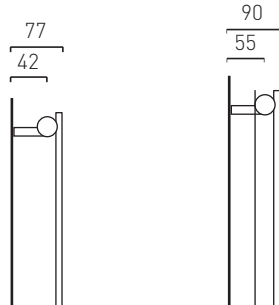


Single vertical

Model	Height (mm)	Width (mm)	Watts At 50°C	Polished Stainless Steel Ex GST	Brushed Stainless Steel Ex GST
ICEINSV1245	1220	465	400	\$3,070.00	\$2,839.00
ICEINSV1260	1220	615	534	\$3,506.00	\$3,439.00
ICEINSV1545	1520	465	497	\$3,875.00	\$2,896.00
ICEINSV1560	1520	615	662	\$4,200.00	\$3,564.00
ICEINSV1845	1820	465	595	\$4,093.00	\$3,136.00
ICEINSV1853	1820	540	693	\$4,245.00	\$3,377.00
ICEINSV1860	1820	615	793	\$4,458.00	\$3,738.00

Double vertical

Model	Height (mm)	Width (mm)	Watts At 50°C	Polished Stainless Steel Ex GST	Brushed Stainless Steel Ex GST
ICEINDV1245	1220	465	640	\$4,164.00	\$3,800.00
ICEINDV1260	1220	615	909	\$4,605.00	\$4,582.00
ICEINDV1545	1520	465	839	\$4,974.00	\$3,863.00
ICEINDV1560	1520	615	1118	\$5,299.00	\$4,761.00
ICEINDV1845	1820	465	1003	\$5,188.00	\$4,160.00
ICEINDV1853	1820	540	1084	\$5,330.00	\$4,463.00
ICEINDV1860	1820	615	1337	\$5,557.00	\$5,010.00



Ice Inox vertical	Pipe centres left to right	Pipe centres from wall	Depth from wall
Single vertical	width - 10mm + valves	42mm	77mm
Double vertical	width - 10mm + valves	55mm	90mm

Underneath Connections	Ex GST
B2CONN	\$216
Underneath Connections pipe centres = width - 85mm	